

### TECHNICAL NOTES

Crush will fit the following loadbars:

- Trutest HD5T - add height 108mm
- Gallagher 5000kg 1000mm- add height 95mm
- Gallagher 2500kg 1000mm- add height 95mm

Use forklift lugs for lifting into place

Minimum recommended concrete slab dimensions

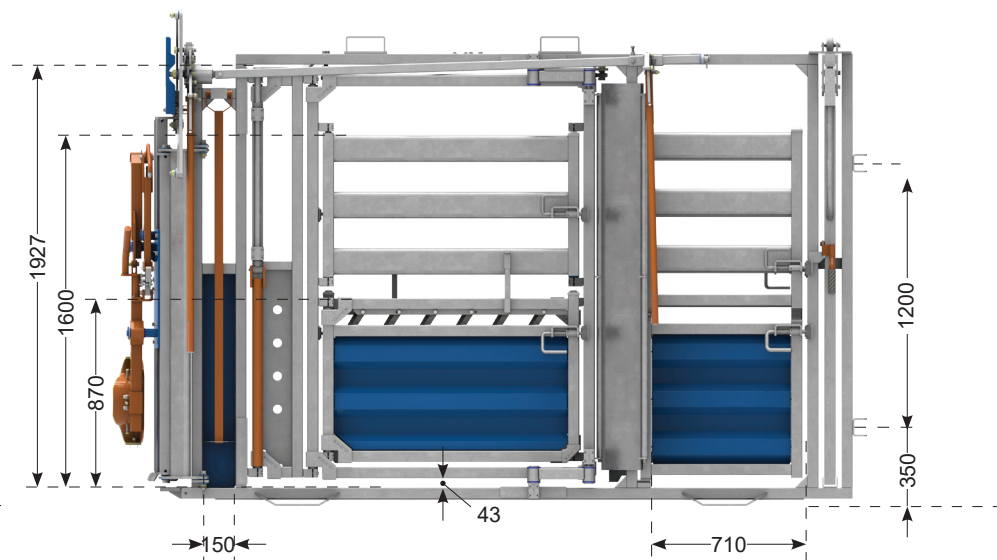
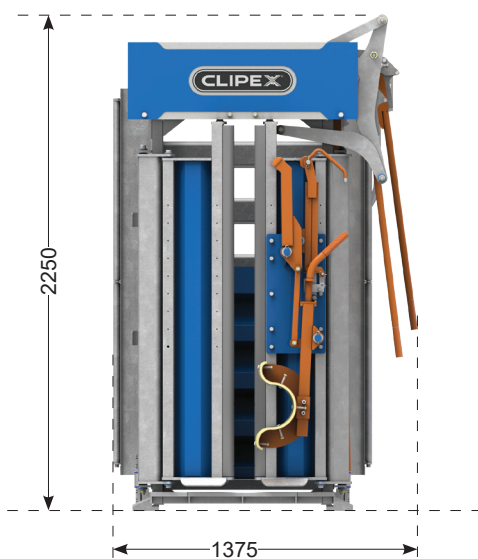
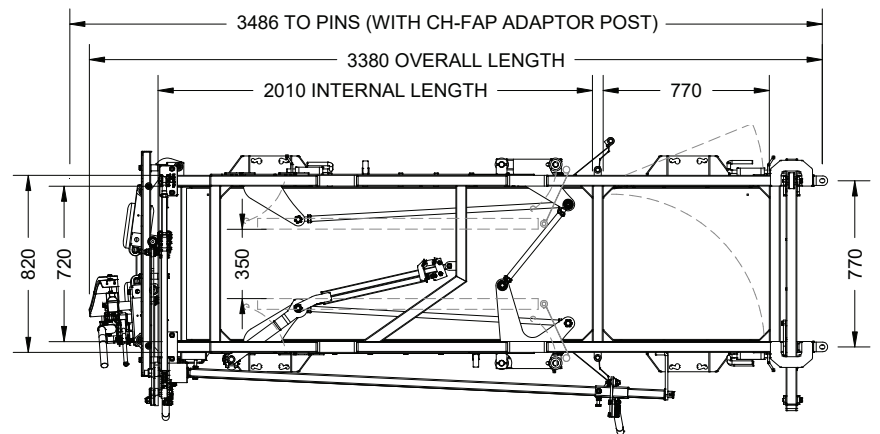
- 2500mm(W) x 4000mm(L) x 110mm(T)
- 25MPa with SL72 steel reinforcement, 20mm aggregate
- concrete edge at least 300mm from edge of crush frame on non operator side

Space allowance on sides:

- Operator side 2500mm minimum
- Non operator side 2000mm minimum

### OPTIONS

- Add front adaptor posts to connect semi-permanent panels. Product code CH-FAP
- Nearside or offside operation (Nearside shown)
- Place crush on scales



All dimensions in millimetres